

# BANNER BUG BANNER STAND



## PRODUCT TIP:

*“Since changing graphics is a breeze, bring along a set of back-up banner artwork and test market your audience’s response to a variety of messages.”*

## Ideal Media:

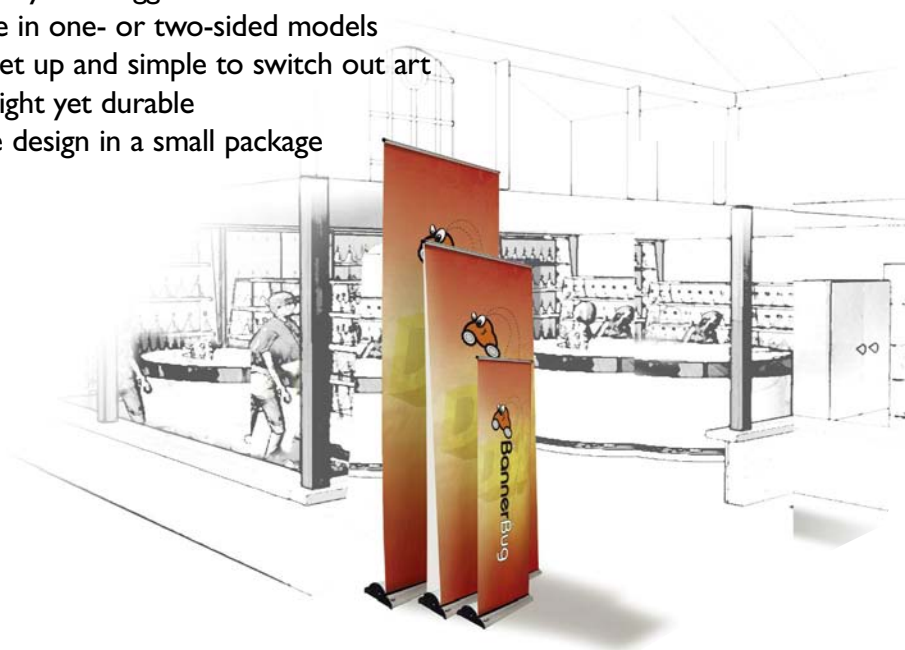
*Printable Eclipse 6 mil.*



## BannerBug

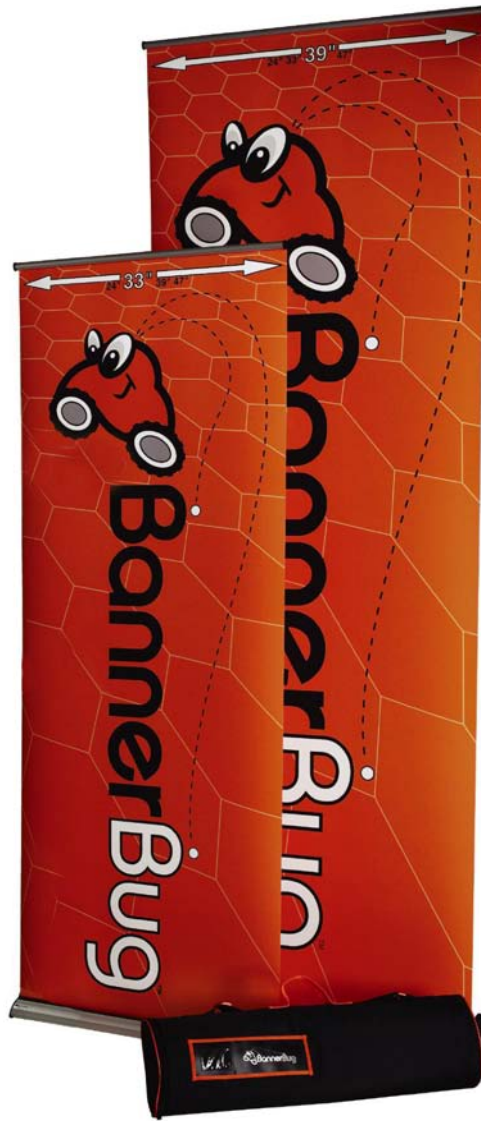
**retractable banner stand**

- Heavy duty and rugged
- Available in one- or two-sided models
- Quick set up and simple to switch out art
- Lightweight yet durable
- Durable design in a small package





# BannerBug *retractable banner stand*



Banner Bug offers a sleek and practical way to display your marketing message.

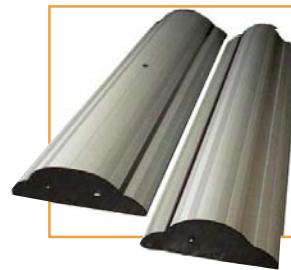
This retractable display comes in one- or two-sided models plus a variety of widths and heights.

Lightweight and easy to set up, changing graphics is a

snap and storing them securely is even

easier. Banner Bug comes with an attractive nylon carrying bag with

shoulder strap, making it the ideal travel companion.



When not in use, graphics are efficiently stored inside the Banner Bug's heavy-duty base. Protection that's practical.

## Specifications: Basic Size Formats

Model	8-1/2" Width	22-1/2" Width	33" Width	39" Width	39" Width (Giant)	47" Width	59" Width	72" Width
Visual Area	8-11/16" x 20-1/16" 22 cm x 51 cm	22-13/16" x 59-1/16" 58 cm x 150 cm	33-7/16" x 84-5/8" 85 cm x 215 cm	39-3/8" x 84-5/8" 100 cm x 215 cm	39-3/8" x 111-7/16" 100 cm x 283 cm	47-1/4" x 84-5/8" 120 cm x 215 cm	59-1/16" x 84-5/8" 150 cm x 215 cm	70-3/4" x 85-3/8" 180 cm x 217 cm
Overall Panel Size	8-11/16" x 29-1/8" 22 cm x 74 cm	22-13/16" x 68-7/8" 58 cm x 175 cm	33-7/16" x 94-1/2" 85 cm x 240 cm	39-3/8" x 94-1/2" 100 cm x 240 cm	39-3/8" x 121-1/4" 100 cm x 308 cm	47-1/4" x 94-1/2" 120 cm x 240 cm	59-1/16" x 94-1/2" 150 cm x 240 cm	70-3/4" x 94-1/2" 180 cm x 240 cm

or toll free 888-790-2665



## Set-Up Instructions



- 1) Remove the base and folded support rod, which features shock cord tubes similar to those found in camping tent poles.



- 2) Straighten out the rod so it's one long pole, inserting the smaller, darker portions of each section into the hole of another section.

The top portion of the support rod is the same diameter as the rest of the pole. The bottom portion of the rod narrows at the end and has a bright aluminum ring. Insert the bottom portion into the hole in the base of the Banner Bug.



- 3) Gently raise the banner from the retractable base until it's the same height as the support rod.



- 4) Attach the banner to the rod by inserting the black, plastic hook attached to the top rail into the top of the pole.

### NOTE:

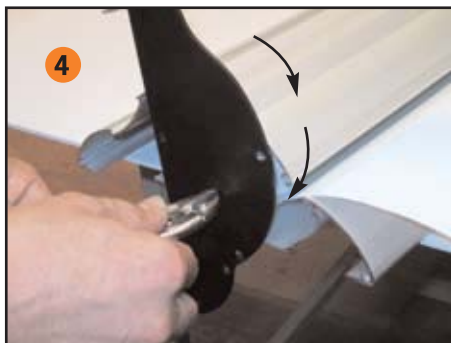
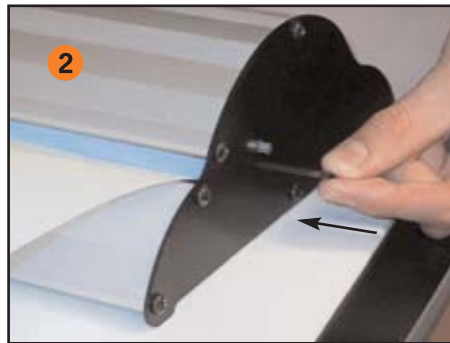
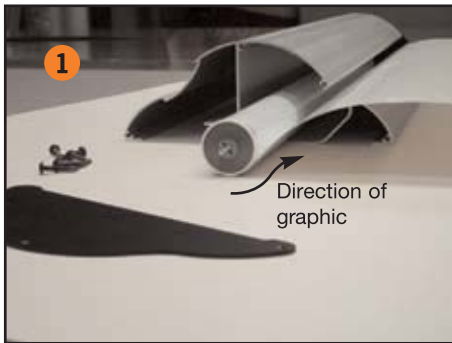
**If you want to shorten your banner stand, don't connect the top portion of the shock cord rod and leave it hanging. Instead, attach the banner to the second highest rod by inserting the black, plastic hook attached to the top rail into the top of that part of the pole.**

**For tall systems, it is easier to attach and detach the banner from the rod by tilting the banner stand or laying it on a table.**

## BANNERBUG RE-TENSION INSTRUCTIONS

### Instructions

- 1 With the system facing you, remove left hand end cap, using a Phillips head Screwdriver to expose the reel, with leader strip protruding out of the system. **WARNING: Take care when removing the end cap, the reel may not be totally unwound and may cause the end cap to spin quickly and may be dangerous.**
- 2 Place the pin into the right hand end cap. Rotate reel until the hole in the reel lines up with the hole in the end cap. Place the Allen key to stop the reel from rotating.
- 3 Position the left hand end plate onto the system so that the flat metal bar of the reel protrudes from the slot in the end cap. Grip the flat bar with a vice grip.
- 4 Rotate the flat bar clockwise. The table below indicates the number of rotations required for different size Bannerbugs.
- 5 Replace the screws in the left hand end cap.

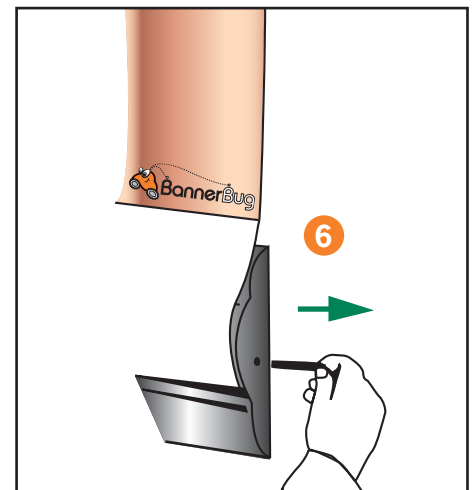
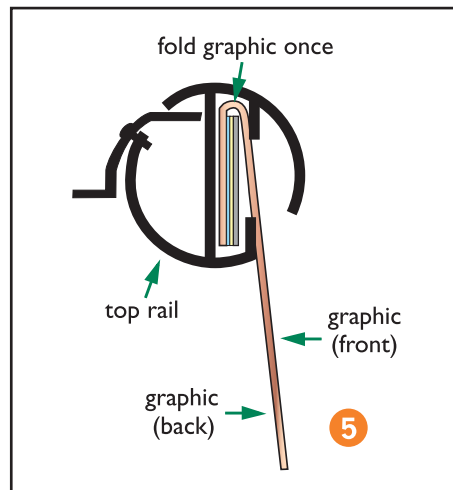
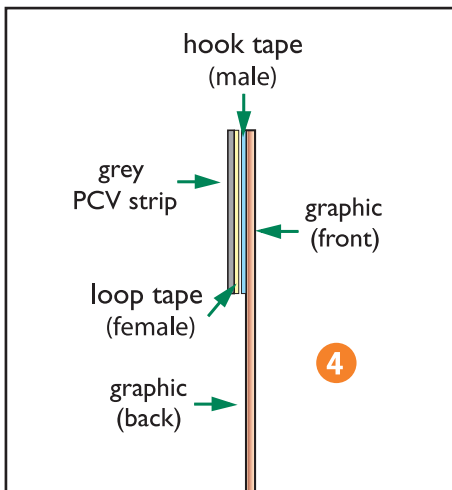
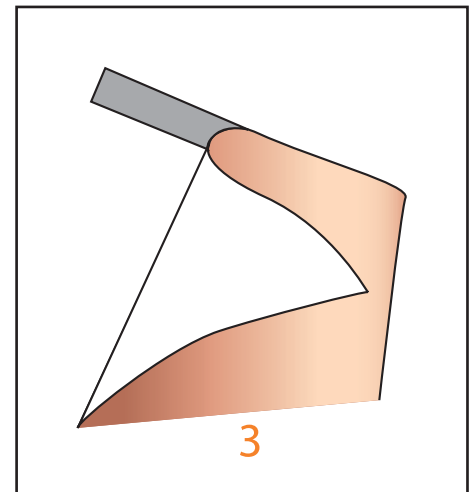
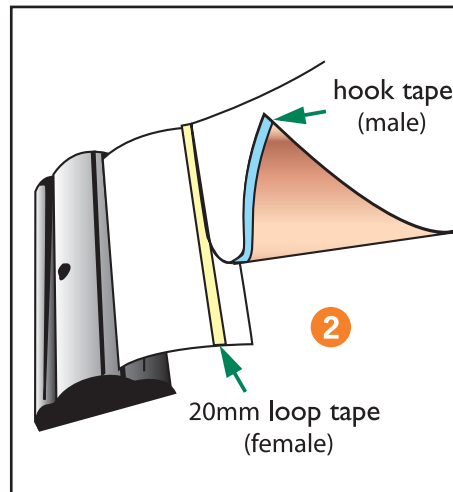
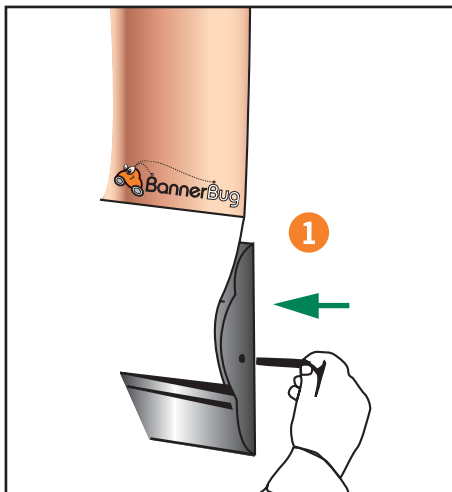


BANNER SYSTEM		No of turns	BANNER SYSTEM		No of turns
Desk Bug	8 11/16" / 22cm	25	47in. Bug	47 1/4" / 120cm	32
Baby Bug	22 13/16" / 58cm	18	59in. Bug	59 1/6" / 150cm	32
33in. Bug	33 7/16" / 85cm	25	72in. Bug	72 3/4" / 180cm	32
39in. Bug	39 3/8" / 100cm	28	Giant Bug	39 3/8" / 100cm	32

## BANNERBUG REPLACEMENT GRAPHIC INSTRUCTIONS

### Instructions

- 1 Release the graphic panel completely from the system to expose the PVC tongue and graphic join. Place the pin into the side of the unit when the hole on the roller lines up with the hole in the end cap.
- 2 Carefully remove the existing graphic panel from the PVC tongue. Add 20mm hook tape (male) to the base of your new graphic panel and then place in the same position.
- 3 Slide the 'Top Rail' off the old graphic panel and then carefully remove the grey PVC strip (female loop attached) from your print.
- 4 Add 16mm hook tape (male) to the top of your new graphic panel and then apply the existing grey PVC strip.
- 5 Fold the top of your new graphic backwards once and then slide into the 'Top Rail'.
- 6 While carefully holding the graphic, remove the pin from the side of the system and gently allow the graphic to roll back into the unit.



### Finally

If you have any further queries please don't hesitate to call us on **888-790-2665**